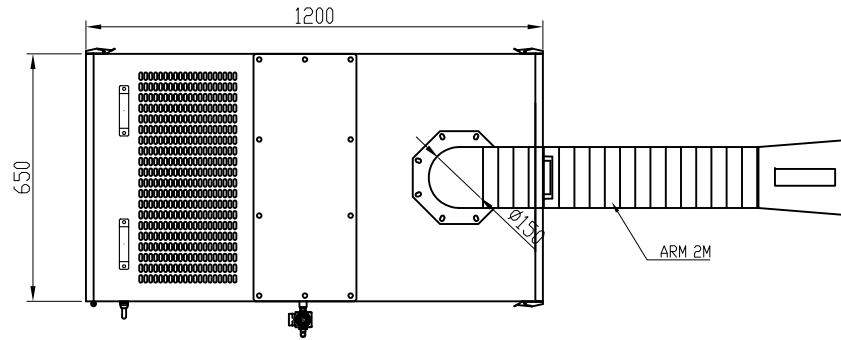
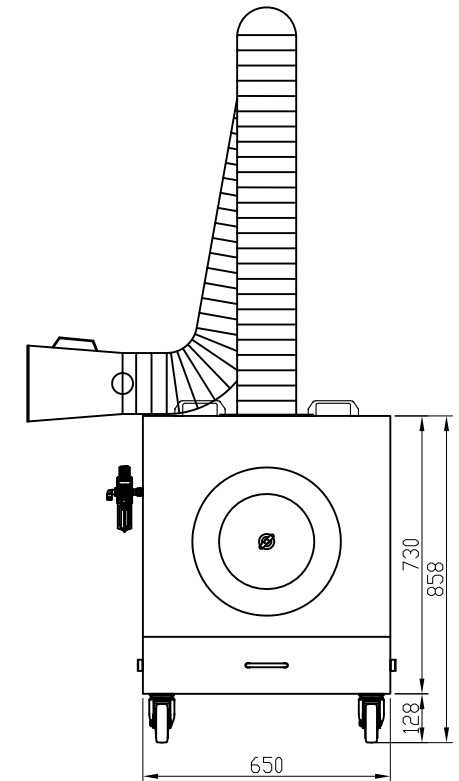
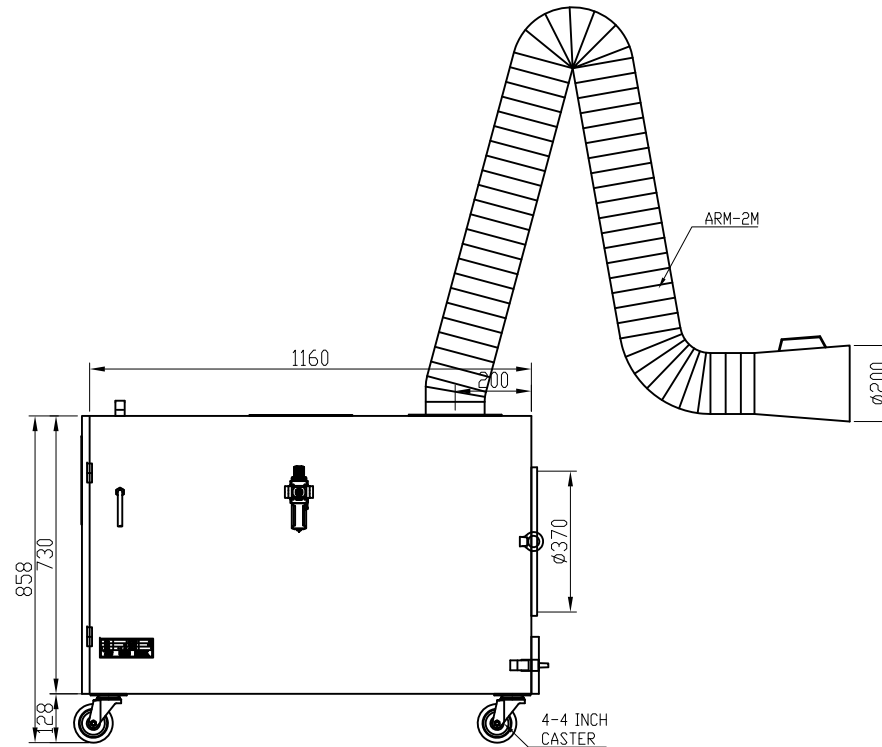
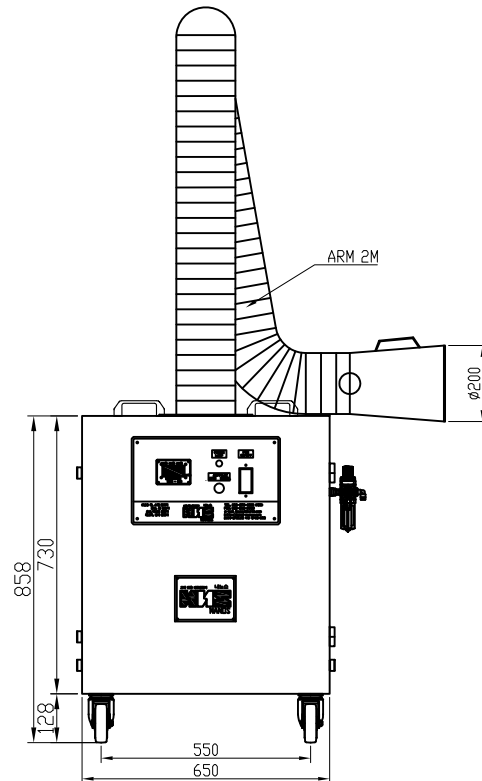


SPECIFICATION				
MODEL NAME	NAM-20	OPTION	-	
FAN SPEC.				
FAN DIVISION	TURBO BLOWER			
AIR VOLUME	25 CMM	STATIC	230 mmAq	
MOTOR	1.5 kw [ 2 HP ]	POWER	220V x 2P	
FILTER SPEC.				
1ST	CARTRIDGE FILTER	MATERIAL	POLYESTER	
	SIZE	ø350 x 500L x 320tH	AREA	16 m <sup>2</sup>



3	OUTLET	1	PUNCHING PLAT
2	HANDEL	2	-
3	CABINET	1	1160 x 650 x 730 x 1.6t
4	MANOMETER	1	DIGITAL 0 ~ 300 mmAq
5	CONTROL PANEL	1	ON/OFF SWITCH
6	REGULATOR	1	PP2(8A)
7	POWER CABLE	1	V.C.T.F CABLE
8	TURBO FAN	1	1.5kw x 25CMM x 230mmAq
9	CASTER	4	ROTATION 4' & STOPPER
10	AIR TANK	1	SQ 100 PIPE
11	SOLENOID VALVE	1	JIS1-20
12	INLET	1	FLEXIBLE ARM 2M
13	CARTRIDGE FILTER	1	ø350 x 500L x 320tH
14	DUST BOX	1	26.5 LITER

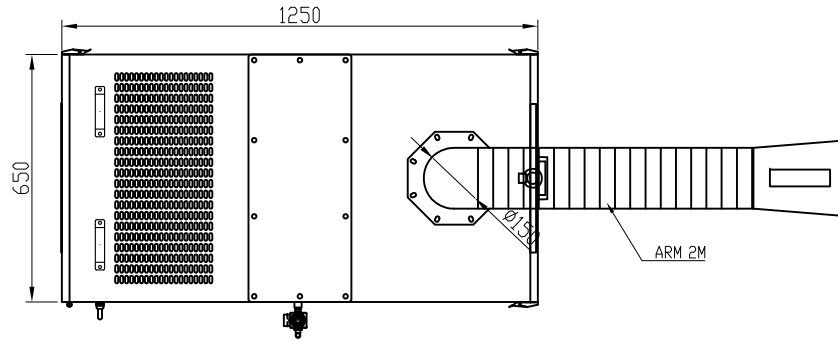
\*\*\* CHECK POINTS \*\*\*  
A. ---



\*\*\* PAINT COLOR \*\*\*  
BODY : EX8816(S) 5Y 7/1  
DOOR : EX8816-DIC546 1/2

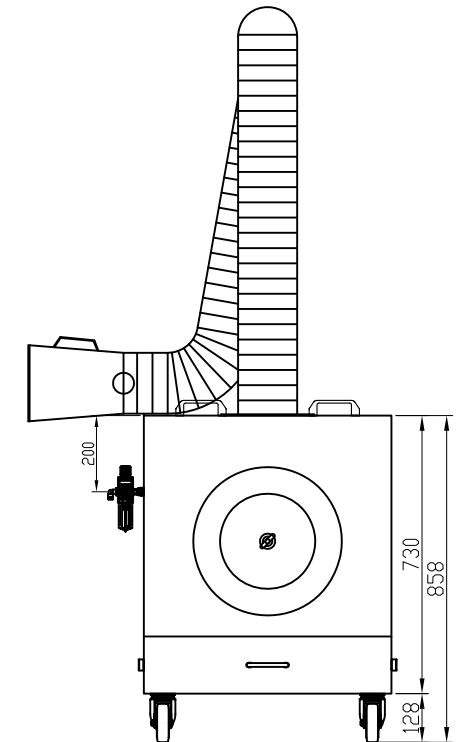
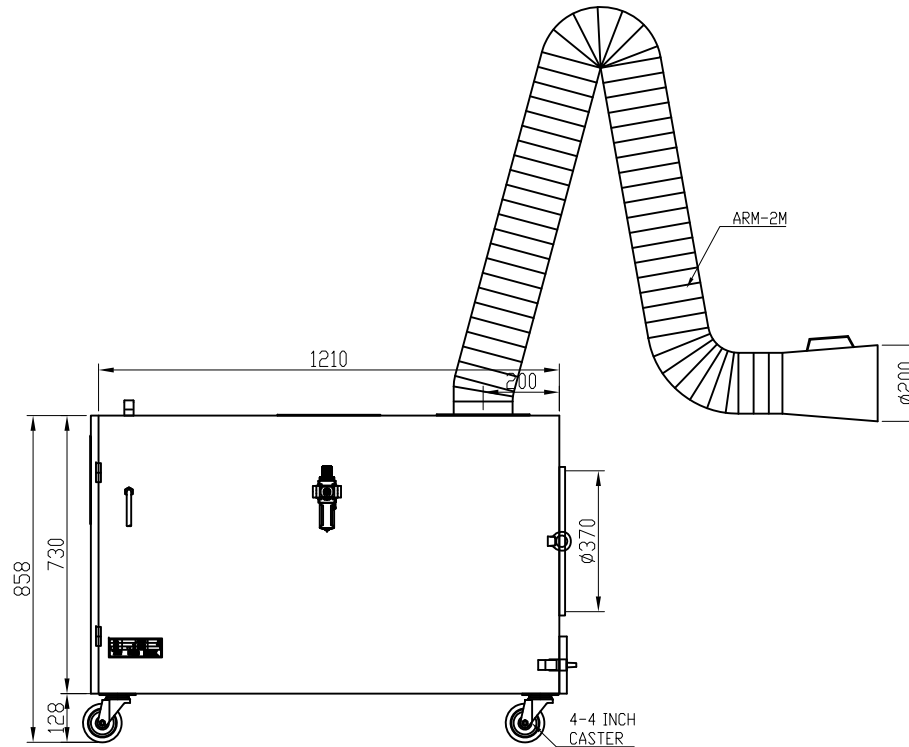
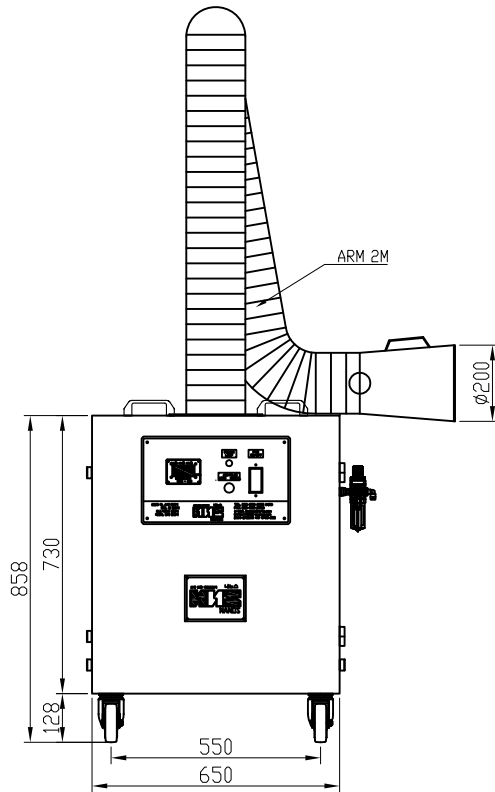
 고객맞춤 대표 장비기 www.j-nanos.co.kr	SIZE	A3	CUSTOMER	-
	SCALE	1 / 1	TITLE	AIR PULSE MOVE DUST COLLECTOR
	DRAWN	APPROVED	NANOS DWG. NO.	NAM-20
	B.B.M	-		

SPECIFICATION				
MODEL NAME	NAM-30	OPTION	-	
FAN SPEC.				
FAN DIVISION	TURBO BLOWER			
AIR VOLUME	40 CMM	STATIC	230 mmAq	
MOTOR	2.2 kw [ 3 HP ]	POWER	220V x 2P	
FILTER SPEC.				
1ST	CARTRIDGE FILTER		MATERIAL	POLYESTER
	SIZE	ø350 x 500L x 320th	AREA	16 m <sup>2</sup>



1	OUTLET	1	PUNCHING PLAT
2	HANDEL	2	-
3	CABINET	1	1160 x 650 x 730 x 1.6t
4	MANOMETER	1	DIGITAL 0 ~ 300 mmAq
5	CONTROL PANEL	1	ON/OFF SWITCH
6	REGULATOR	1	PP2(8A)
7	POWER CABLE	1	V.C.T.F CABLE
8	TURBO FAN	1	2.2kw x 40CMM x 230mmAq
9	CASTER	4	ROTATION 4° & STOPPER
10	AIR TANK	1	SQ 100 PIPE
11	SOLENOID VALVE	1	JIS1-20
12	INLET	1	FLEXIBLE ARM 2M
13	CARTRIDGE FILTER	1	ø350 x 500L x 320th
14	DUST BOX	1	26.5 LITER

\*\*\* CHECK POINTS \*\*\*  
A. ---



\*\*\* PAINT COLOR \*\*\*  
BODY : EX8816(S) 5Y 7/1  
DOOR : EX8816-DIC546 1/2

 고객맞춤 대표 장비기 www.j-nanos.co.kr	SIZE	A3	CUSTOMER	-
	SCALE	1 / 1	TITLE	AIR PULSE MOVE DUST COLLECTOR
	DRAWN	APPROVED	NANDS DWG. NO.	NAM-30
	B.B.M	-		